



# Reflex level gauge

RGI-CS

## Application and function

The reflex level gauge is a direct water level indicator, which is mainly used on steam boilers and pressure vessels. Due to the special design of the glass, the water column appears dark and the steam area appears bright.

This product complies with EU Directive 2014/68/EU. The applicable regulations are AD2000 and the ASME Boiler and Pressure Vessel Code.

The reflex level gauge is suitable in accordance with DIN EN 12952-7 and DIN EN 12953-6 as a water level indicator for shell boilers and water tube boilers.

## Technical basic version

- Indicator body made of pressure vessel steel
- Freely selectable display orientation
- Integrated shut-off valve
- Drain valve AV250
- Vent plug BSP G 1/2"
- Sight glass made of borosilicate according to DIN 7081

## Optional versions

- Customised process connections
- Stainless steel wetted parts
- Double drain valve
- Vent valve
- Customised drain connection
- Customised connection and sight glass
- Aluminium silicate sight glass



RGI-CS Size 7  
Simple display opening

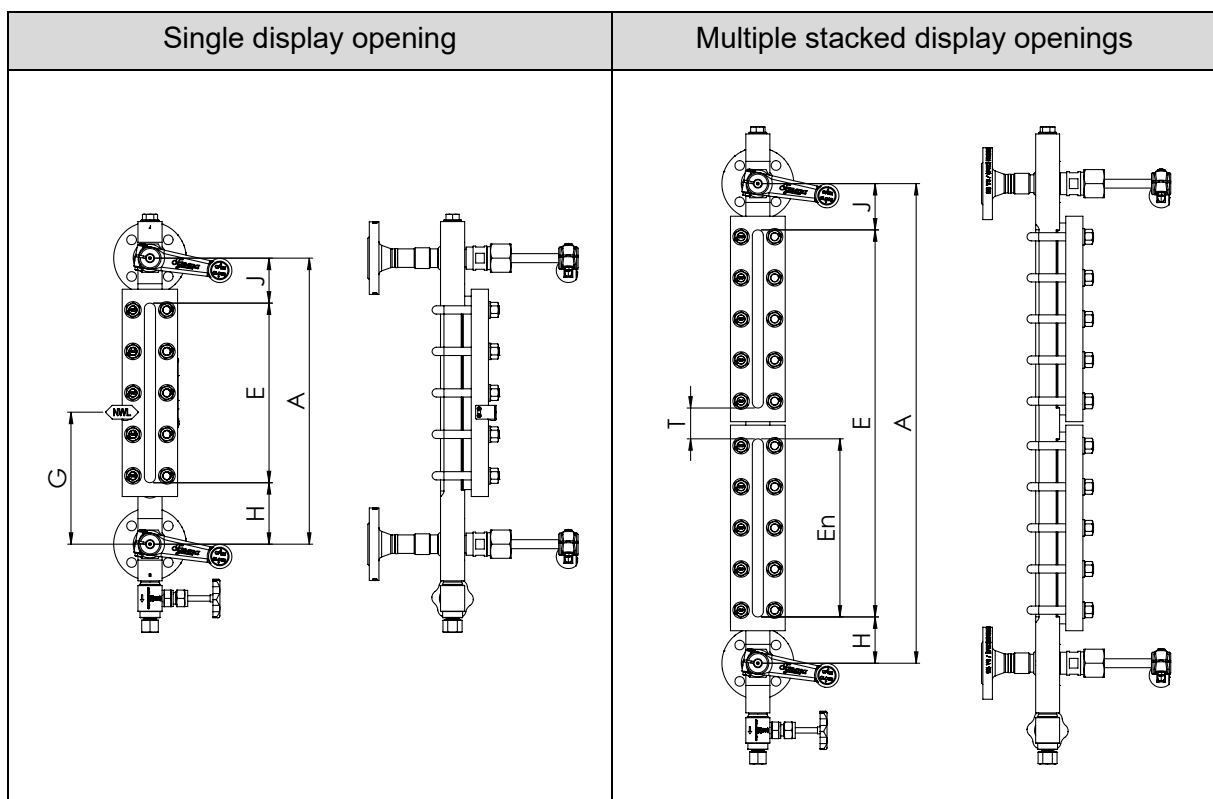


RGI-CS Size 6/2ü  
Overlapping display openings

## Technical data

RGI-CS Operating limits	Perm. Pressure [PS]	Perm. Temperature [TS]
Medium with glass attack (e.g. water vapour)	32 bar 464 psig	-20 up to 239 °C -4 up to 462 °F
Medium without glass attack (e.g. nitrogen)	20 bar 290 psig	-20 up to 280 °C -4 up to 536 °F
	40 bar 580 psig	-20 up to 50 °C 14 up to 122 °F

## Dimensions and sizes



The indicators shown are the "rear" model.  
The dimensions H, J and A are to be specified individually.

		min.	
		[mm]	[inch]
Upper blind space	[J]	45	1 7/9
Lower blind space	[H]	45	1 7/9
Blind space	[T]	26mm / 1"	

## Available dimensions

	Size	Display length (Dimension E)		Process connection (Dimension A <sub>min</sub> )	
		[mm]	[inch]	[mm]	[inch]
Single display opening	2	120	4 <sup>5</sup> / <sub>7</sub>	210	8 <sup>1</sup> / <sub>4</sub>
	3	145	5 <sup>5</sup> / <sub>7</sub>	235	9 <sup>1</sup> / <sub>4</sub>
	4	170	6 <sup>2</sup> / <sub>3</sub>	260	10 <sup>1</sup> / <sub>4</sub>
	5	200	7 <sup>7</sup> / <sub>8</sub>	290	11 <sup>3</sup> / <sub>7</sub>
	6	230	9	320	12 <sup>3</sup> / <sub>5</sub>
	7	260	10 <sup>1</sup> / <sub>4</sub>	350	13 <sup>7</sup> / <sub>9</sub>
	8	300	11 <sup>4</sup> / <sub>5</sub>	390	15 <sup>1</sup> / <sub>3</sub>
	9	320	12 <sup>3</sup> / <sub>5</sub>	410	16 <sup>1</sup> / <sub>7</sub>
	10	350	13 <sup>7</sup> / <sub>9</sub>	440	17 <sup>1</sup> / <sub>3</sub>
	Overlapping display openings	6/2ü	486	19 <sup>1</sup> / <sub>7</sub>	576
7/2ü		546	22	636	25
9/2ü		666	26 <sup>2</sup> / <sub>7</sub>	756	29 <sup>3</sup> / <sub>4</sub>
7/3ü		832	32 <sup>3</sup> / <sub>4</sub>	922	36 <sup>2</sup> / <sub>7</sub>
9/3ü		1012	39 <sup>5</sup> / <sub>6</sub>	1102	43 <sup>2</sup> / <sub>5</sub>
10/3ü		1102	43 <sup>2</sup> / <sub>5</sub>	1192	47
8/4ü		1278	50 <sup>1</sup> / <sub>3</sub>	1368	53 <sup>6</sup> / <sub>7</sub>
7/5ü		1404	55 <sup>2</sup> / <sub>7</sub>	1494	58 <sup>5</sup> / <sub>6</sub>
10/4ü		1478	58 <sup>1</sup> / <sub>5</sub>	1568	61 <sup>3</sup> / <sub>4</sub>
8/5ü		1604	63 <sup>1</sup> / <sub>7</sub>	1694	66 <sup>2</sup> / <sub>3</sub>
6/7ü		1766	69 <sup>1</sup> / <sub>2</sub>	1856	73
8/6ü		1930	76	2020	79 <sup>1</sup> / <sub>2</sub>
9/6ü		2050	80 <sup>5</sup> / <sub>7</sub>	2140	84 <sup>1</sup> / <sub>4</sub>
10/6ü		2230	87 <sup>4</sup> / <sub>5</sub>	2320	91 <sup>1</sup> / <sub>3</sub>
9/7ü		2396	94 <sup>1</sup> / <sub>3</sub>	2486	97 <sup>7</sup> / <sub>8</sub>
7/9ü	2548	100 <sup>1</sup> / <sub>3</sub>	2638	103 <sup>6</sup> / <sub>7</sub>	
10/7ü	2606	102 <sup>3</sup> / <sub>5</sub>	2696	106 <sup>1</sup> / <sub>7</sub>	



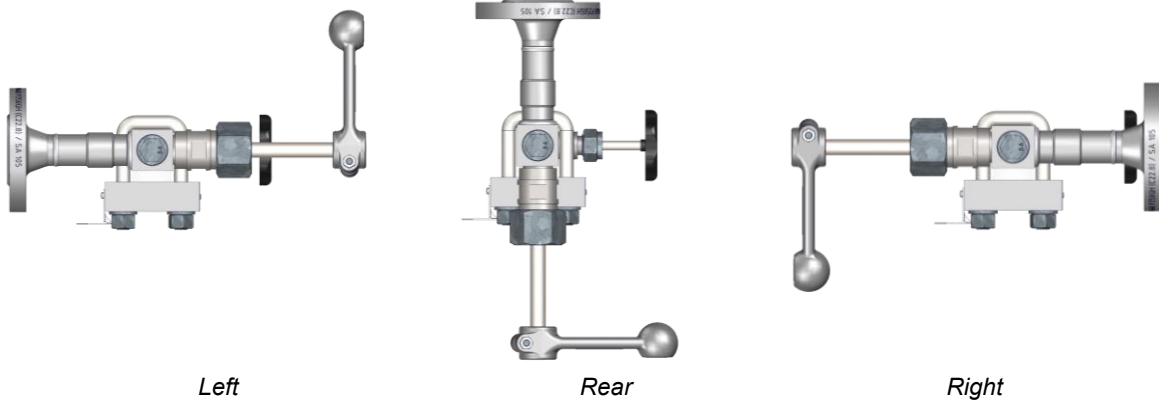
### NOTICE

#### Material damage due to weight load

From a weight of the level gauge of 30kg, the fasteners are too much stressed and no longer represent a secure tight connection.

- Provide sufficient support (e.g. with spring hangers).

## saPossible display orientations

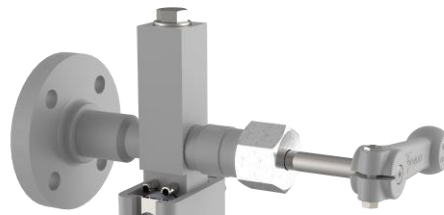


## Basic configuration

The reflection indicators are equipped with integrated shut-off valves and an AV250 drain valve. Customised equipment is possible.



*Drain valve AV250*

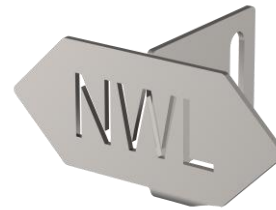


*Integrated shut-off valve with hand lever*

Type	Data sheet	Article number
AV250 cutting ring screw connection DS12	D-09-D-54181-EN	15-16613

## Accessories and optional versions

Accessories water level mark		
Description	Inscription	Article-No.
Water level mark	NW-LWL-NB	25-13645
	HHWL	25-13717
	HWL	25-13716
	NWL	25-13698
	LWL	25-13718
	LLWL	25-13719



Water level mark-NWL

Two thread-forming screws are required for fixing each water level mark; item number: 40-11121.

Examples of optional versions	
Vent valve	Double drain valve
<p><i>E.g.: AV250</i></p>	<p><i>E.g.: AV251</i></p>

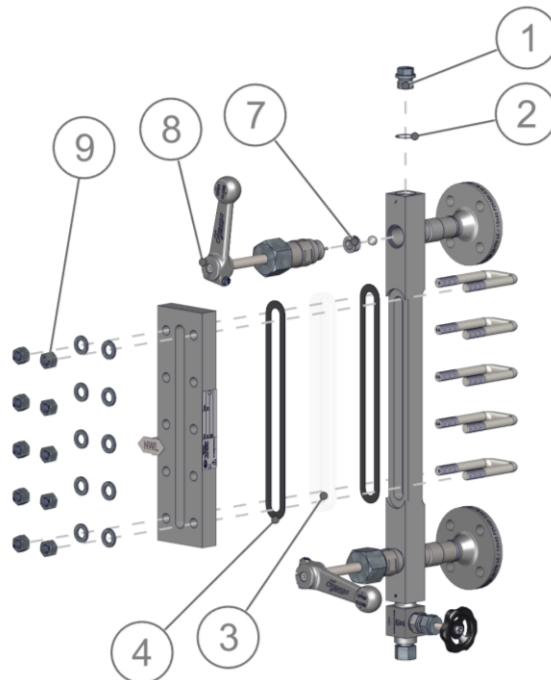
Type	Data sheet	Article-No.
Vent valve AV250 cutting ring screw connection DS12	D-09-D-54181-EN	15-16613
Double drain valve AV251 cutting ring screw connection DS12	D-09-D-61489-EN	15-14733

## Spare parts

Pos.	Description	Size	Article-No.	Quantity
1	Screw plug	G 1/2"	40-00329	1
2	Sealing ring	21 x 26 x 1,5 mm	40-00099	1
3-4*	Spare parts kit Reflective glass, seals	2	15-13051	n x 1
		3	15-13058	
		4	15-13059	
		5	15-13060	
		6	15-13061	
		7	15-13062	
		8	15-13063	
		9	15-13064	
10	15-13065			
7	Valve seat	-	25-00124	1
8	Valve bonnet unit	-	15-19158	1
9	Spare parts kit U-bolt, washers, hexagon nuts	2	15-18700	3
		3		
		4		
		5		4
		6		
		7		5
		8		
		9		6
10				

\*Spare parts kit consisting of 2x seals and 1x reflective glass

n = number of display openings





*Direct download*



*Product page on the Internet*

**Igema GmbH**

Antwerpener Str. 1  
48163 Muenster  
Germany

[www.igema.com](http://www.igema.com)

Telephone: +49 25 01 924 24 0  
Telefax: +49 25 01 924 24 99  
[info@igema.com](mailto:info@igema.com)

