



# Float switch

BA14

## Application and function

The float switch can be used as a water level limiter on steam generators.

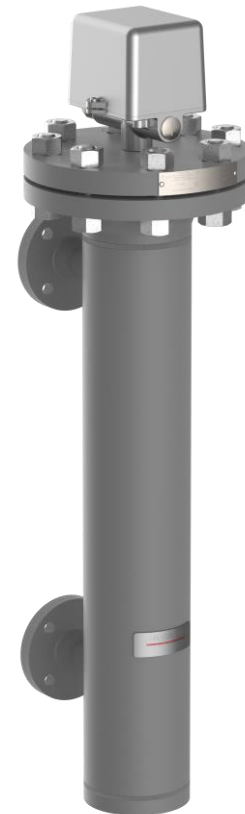
The product complies with EU Directive 2014/68/EU and bears the CE mark with the identification number 0035 at the notified body. Applied standards are EN 12952 / EN 12953 and ASME-Boiler and Pressure Vessel Code. The regulations taken into account are AD2000.

## Technical basic equipment

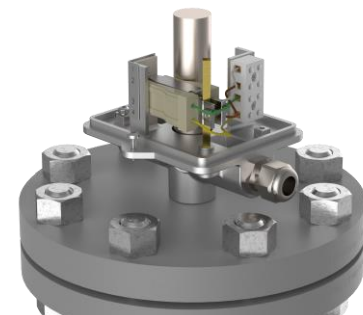
- Design made of pressure vessel steel
- Protection class according to DIN VDE 0470: IP54
- Process connection: Flanges according to DIN or ASME
- Magnetic lock switch type M130-KG
- Cable gland M20x1.5
- Drain plug G 1/2"

## Optional versions

- Protection class according to DIN VDE 0470: IP65
- Process connection: Welding end, welding socket
- Level indicator (signal lamps)
- Ventilation plug
- Customised drain valves



BA14 PN40 DN25



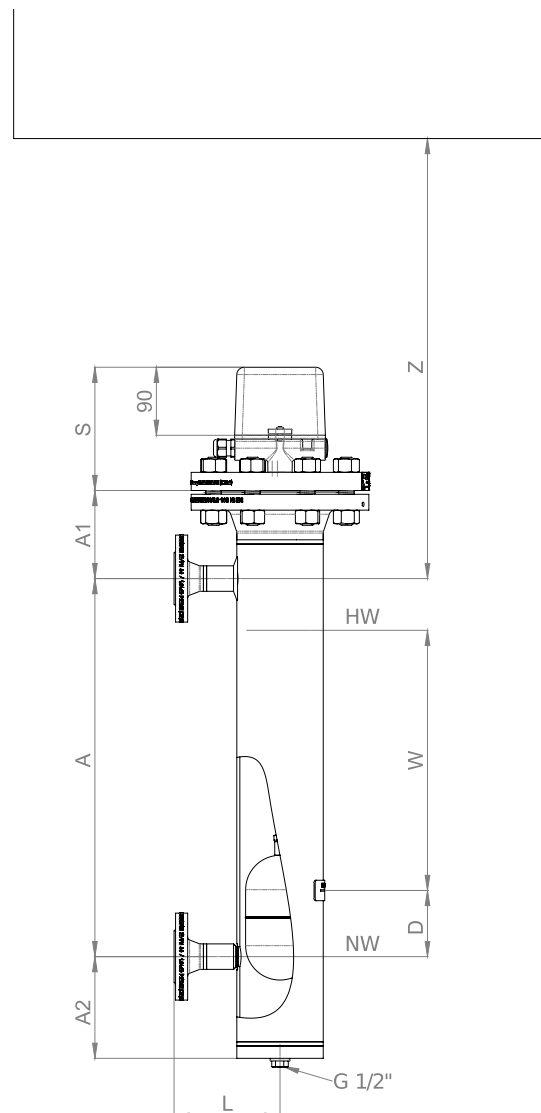
BA14 Switch housing  
with 1x M130KG

## Technical data

Application limits BA14				
EC type-examination certificate no.: Z-D-002-10439/14				
Perm. Pressure	PS [bar]	32	50	80
Perm. Temperature	TS [°C]	239	265	296
Switch adjustment range	W [mm]	40mm / 1 4/7"		

The component code is only valid if shut-off valves are fitted between the process connection and the boiler connection piece and a drain valve is fitted at the bottom of the housing.

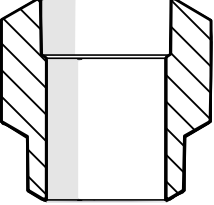
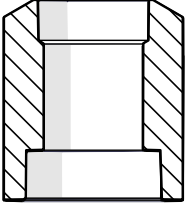
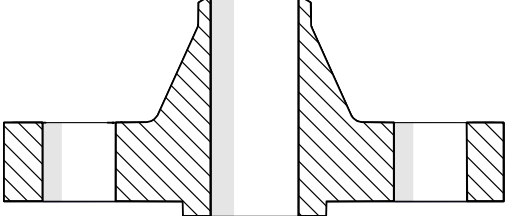
## Dimensions and sizes



PS	A1	A2	L	S	Z
32	115	135	140	165	A+D+465
80	145	155	160	190	A+D+465

The available A dimension is related to various factors such as float buoyancy and flange connection. It must therefore be checked in consultation with Igema GmbH.

## Available dimensions

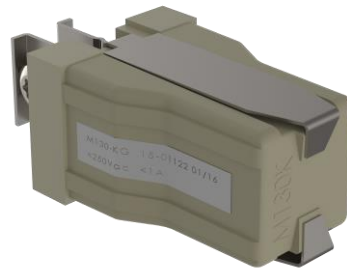
Available process connections		
Welding end	Socket welding	Flange
		

## Basic equipment

The float switch is supplied with a drain plug G 1/2" and a switch housing according to protection class DIN VDE 0470: IP54 with built-in magnetic lockout switch M130-KG. Customer-specific equipment is possible.



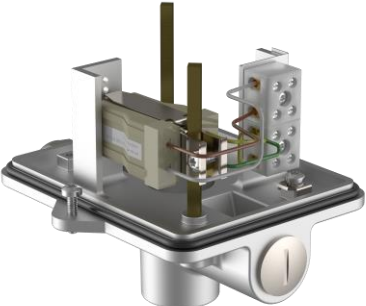


Drain plug G 1/2"



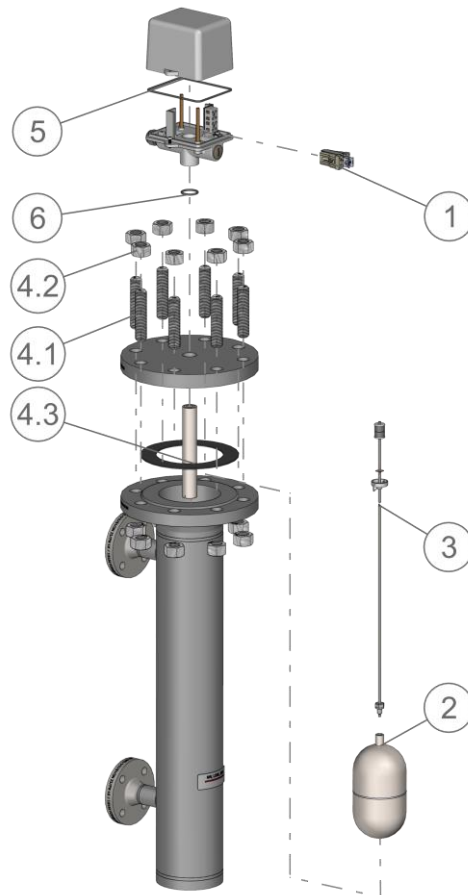
Magnetic lock switch M130-KG

## Accessories and optional versions

Examples of the optional design		
Customised drain valve	Higher protection types of the switch housing	
		
Ex.: AV520	Ex.: AV250	Ex.: Protection type according to DIN VDE 0470: IP65

## Spare parts

Pos.	Description	Size	Article No.	Quantity	
1	Magnetic lock switch M130-KG	-	15-01122	-	
2	Floater	-	40-00918	1	
3	Floating equipment	-	15-000006	1	
4.1, 4.2, 4.3	Connecting kit for flange	32bar	DN100 (DIN 2697)	15-03379	1
		80bar		15-03362	
4.3	Sealing ring	32bar	Ø 115 x 168 x 2 mm (DIN2690)	40-00193	(1)
	Grooved metal gasket	50bar	DN100 (DIN 2697)	40-01309	(1)
		80-100bar		40-00200	(1)
5	O-ring	110x3mm	40-00301	(1)	
6	O-ring	24,2x3mm	40-00300	1	





*Direct download*



*Product page on the Internet*

**Igema GmbH**

Antwerpener Str. 1  
48163 Muenster  
Germany

[www.igema.com](http://www.igema.com)

Telephone: +49 25 01 924 24 0  
Telefax: +49 25 01 924 24 99  
[info@igema.com](mailto:info@igema.com)

